

Pneumatic Robot Gun

XRP200



POWER TRANSFORMERS	
SINGLE PHASE	32 kVA
	36 kVA
	54 kVA
	60 kVA
	75 kVA
MEDIUM FREQUENCY	56 kVA
	90 kVA

Dimensions shown in drawings: 583, 348, 8, 363, 141, 139, 50, 91, 95, 488, LF.

LF (mm)	Electrode Force (daN)
250	1752
300	1460
400	1095
500	876
600	730
700	626
800	548

Body Weight NO Transformer NO Arms 70 kg

TECNA S.p.A. CASTEL S. PIETRO TERME (BO) TEL: 051.6954400 FAX: 051.6954490

Model: X Robot Grande

Version: XRG Pn

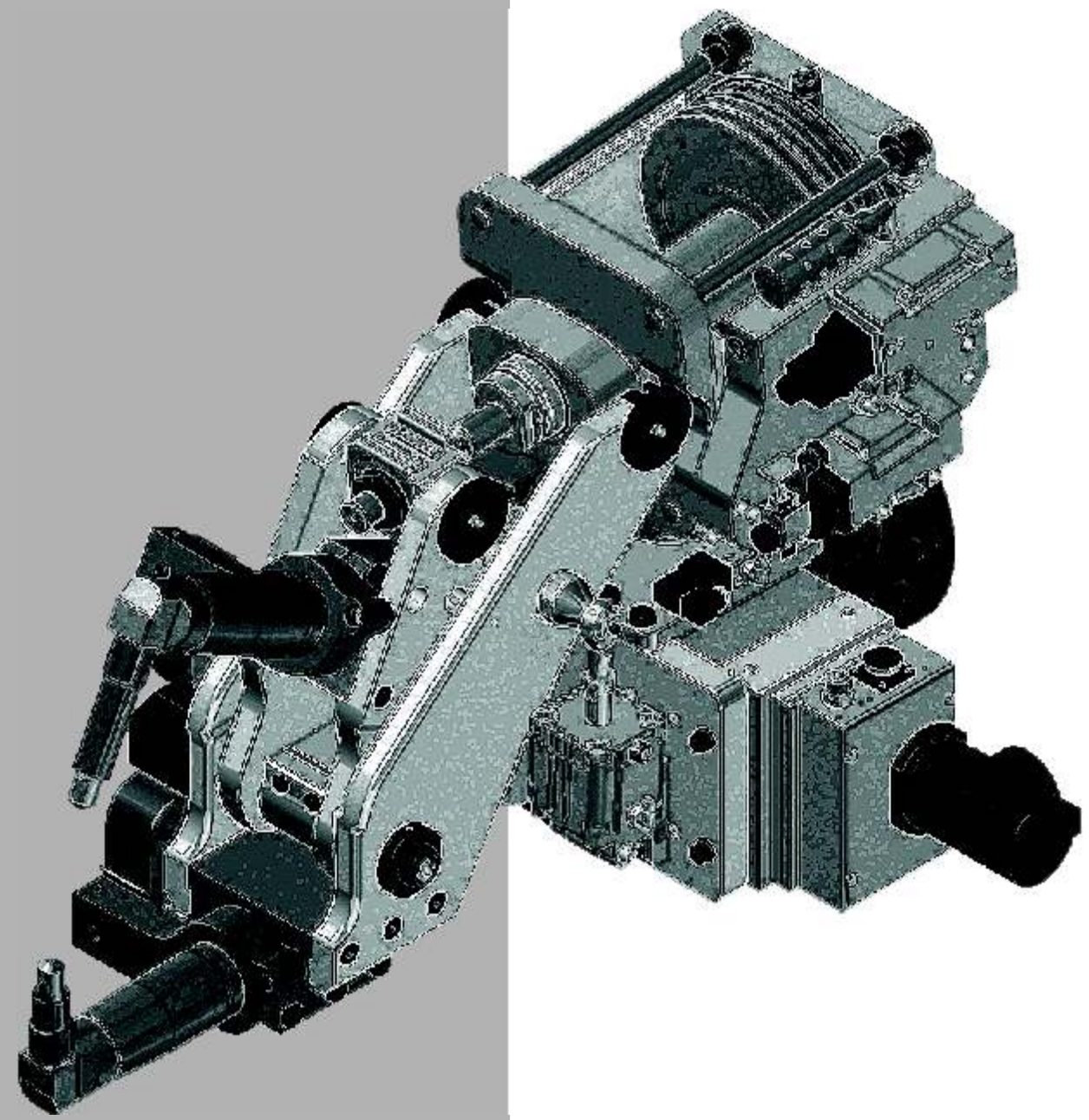
Date: 29/08/2008

100 - 07/2009 - DP1202GB - TECNA SpA - Castel San Pietro Terme Tipografia F.LLI CAVA srl

TECNA®

S.p.A. - Via Grieco, 25/27 - 40024 - Castel S. Pietro Terme - Bologna (Italy)
 Pho. +39.051.6954400 - Tel. 051.6954410 - Fax +39.051.6954490
 http://www.tecna.net - E-mail: sales@tecna.net - vendite@tecna.net

X Type Pneumatic Robot Guns

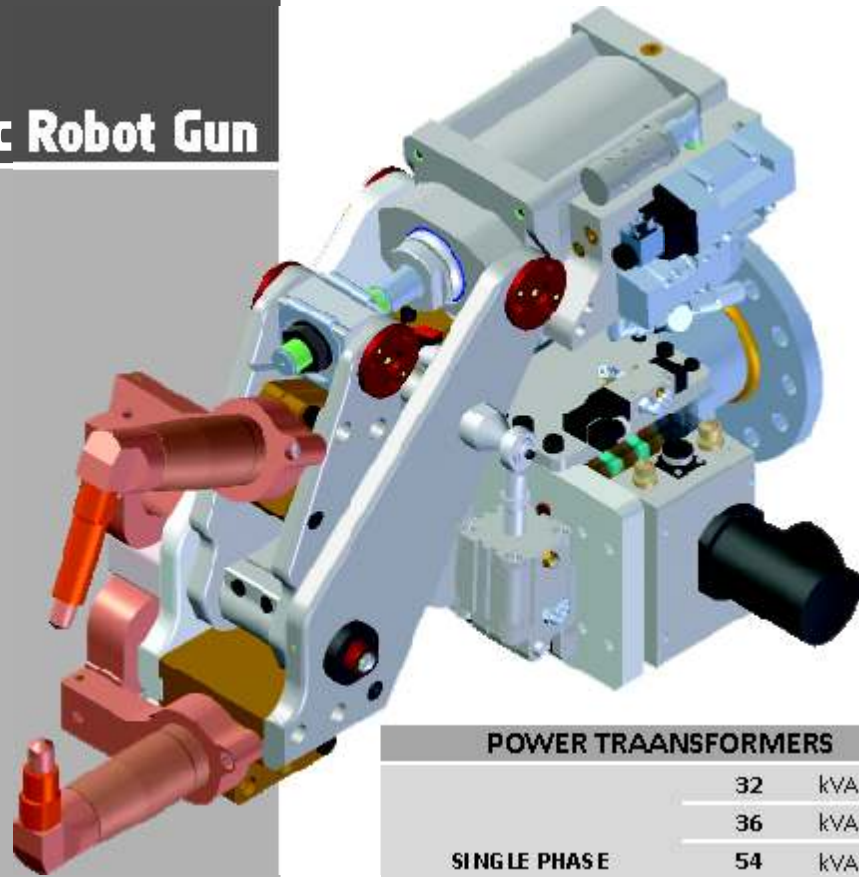


TECNA s.p.A. Specifications subject to change Without notice



Pneumatic Robot Gun

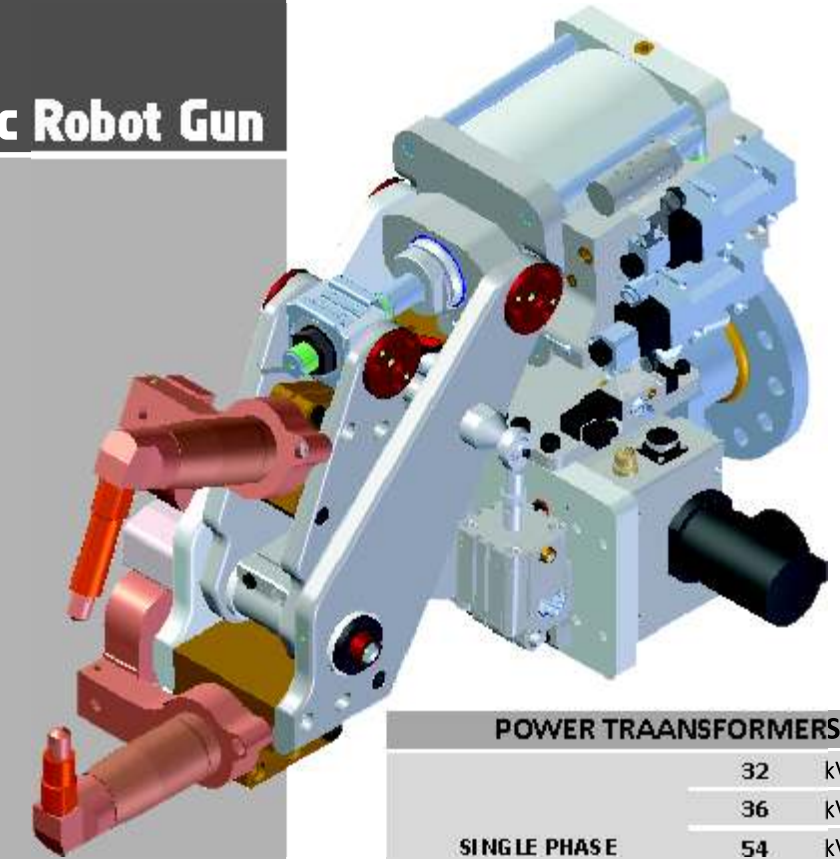
XRP125



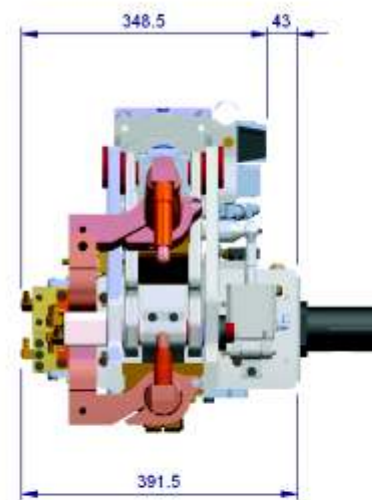
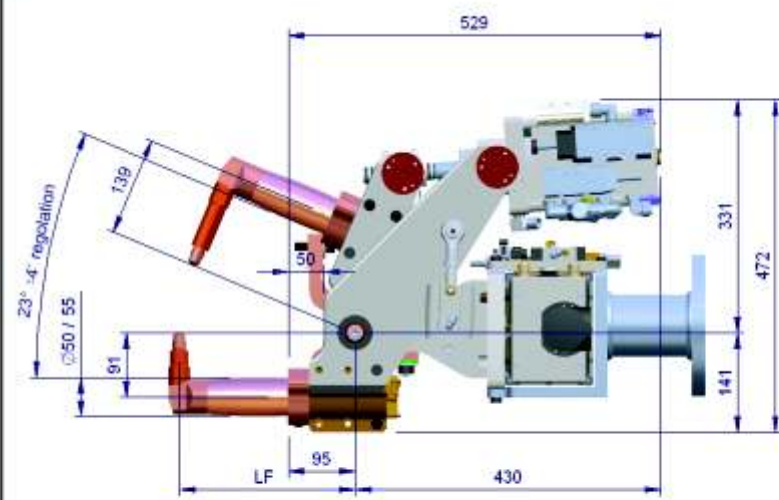
POWER TRANSFORMERS	
SINGLE PHASE	32 kVA
	36 kVA
	54 kVA
	60 kVA
	75 kVA
MEDIUM FREQUENCY	56 kVA
	90 kVA

Pneumatic Robot Gun

XRP160



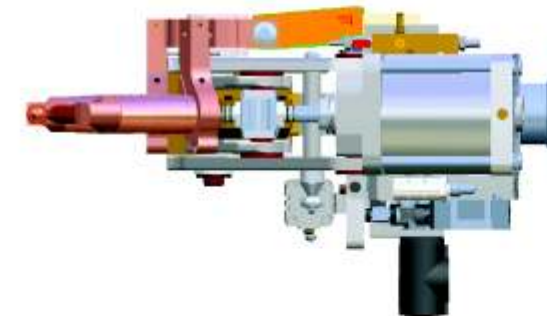
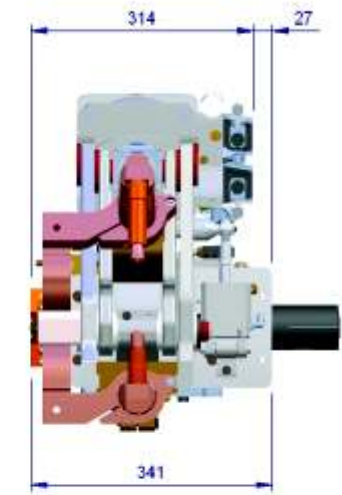
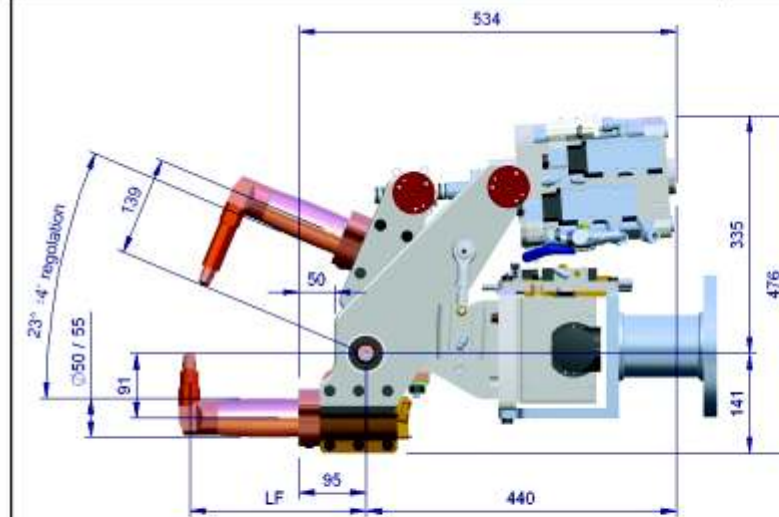
POWER TRANSFORMERS	
SINGLE PHASE	32 kVA
	36 kVA
	54 kVA
	60 kVA
	75 kVA
MEDIUM FREQUENCY	56 kVA
	90 kVA



LF (mm)	Electrode Force (daN)
250	680
300	567
400	425
500	340
600	283
700	243
800	213

Body Weight NO Transformer NO Arms 55 kg

TECNA SpA
CASTEL S. PIETRO TERME (BO)
TELEFONO 059 2101111 FAX 059 2101111
PUB. MODELLO X Robot Piccola DATA 29/08/2008 MODELLO XRP Pn125



LF (mm)	Electrode Force (daN)
250	1114
300	928
400	696
500	557
600	464
700	398
800	348

Body Weight NO Transformer NO Arms 60 kg

TECNA SpA
CASTEL S. PIETRO TERME (BO)
TELEFONO 059 2101111 FAX 059 2101111
PUB. MODELLO X Robot Piccola DATA 29/08/2008 MODELLO XRP Pn